



### **WARRANTY:**

This instrument is warranted from all defects in materials and manufacturing for a period of **two years** from the date of purchase.

If during this period, the repair or replacement of parts is required, where the damage is not due to negligence or erroneous operation by the user, please return the parts to either dealer or our office and the repair will be effected free of charge.

**Note:** We reserve the right to modify the design, construction and appearance of our products without advance notice.

### **SPECIFICATIONS:**

	<b>MW 12</b>
<b>RANGE</b>	0.00 to 2.50 ppm
<b>RESOLUTION</b>	0.01 ppm
<b>ACCURACY</b>	±0.04 ppm ±4% of reading @ 25 °C
<b>TYPICAL EMC DEV.</b>	±0.01 ppm
<b>LIGHT SOURCE</b>	Light Emitting Diode @ 525 nm
<b>LIGHT DETECTOR</b>	Silicon Photocell
<b>METHOD</b>	Adaptation of the <i>Standard Methods for the Examination of Water and Wastewater, 20<sup>th</sup> edition</i> , Ascorbic Acid method. The reaction between phosphate and the reagent causes a blue tint in the sample.
<b>ENVIRONMENT</b>	0 to 50°C (32 to 122 °F) max. 95% RH non-condensing
<b>BATTERY TYPE</b>	1 x 1.5V AAA
<b>AUTO-SHUT OFF</b>	After 3 minutes of non-use and 2 minutes after reading
<b>DIMENSIONS</b>	81.5 x 61 x 37.5 mm (3.2 x 2.4 x 1.5")
<b>WEIGHT</b>	64 g (2.25 oz.)

### **OPTIONAL ACCESSORIES:**

#### **Reagent Sets**

**2720115** Phosphate powder reagent, 25 pcs.

#### **Other Accessories**

**3000100** Glass cuvettes with caps (2 pcs)

**3000200** Tissue fow wiping cuvettes (2 pcs)

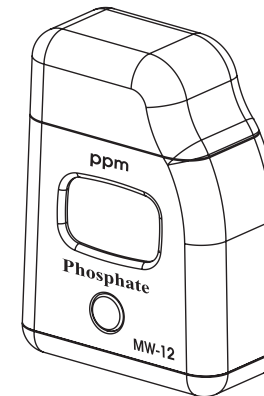
**3000300** 1.5V AAA batteries (4 pcs)

1570012 00/10



## USER MANUAL

## PHOSPHATE LOW RANGE MODEL: MW12



### **PRELIMINARY EXAMINATION:**

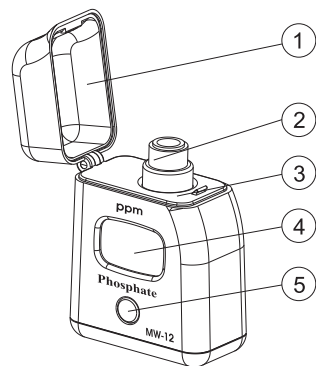
Please examine this product carefully. Make sure that the instrument is not damaged. If any damage occurred during shipment, please notify your Dealer.

Each MW 12 meter is supplied complete with:

- Two Sample Cuvettes and Caps
- Six powder reagents for Phosphate Low Range
- 1 x 1.5V AAA Battery
- Instruction Manual

### **FUNCTIONAL DESCRIPTION:**

1. Dust cover
2. Cuvette with cap
3. Cuvette holder
4. Liquid Crystal Display
5. Button



### **OPERATION:**

- Turn the meter on by pressing the button. After all the segments are displayed, "C.1", "Add" appears with "Press" blinking, the meter is ready.
- Fill the cuvette with 10 mL of unreacted sample and replace the cap. Place the cuvette into the meter and close the meter's cap.
- Press the button. When the display shows "Add", "C.2" with "Press" blinking the meter is zeroed.



- Remove the cuvette, open it and add the content of one packet of **2720115** reagent. Replace the cap and shake gently for 2 minutes until the powder is completely dissolved. Replace the cuvette into the meter.
- Wait for 2 minutes and 30 seconds and then press the button or press and hold the button until the timer is displayed on the LCD.
- The instrument directly displays the concentration of phosphate in ppm. The meter automatically turns off after 2 minutes.



### **BATTERY REPLACEMENT:**

To save the battery, the instrument shuts down after 3 minutes of non-use and 2 minutes after reading. One fresh battery lasts for a minimum of 5000 measurements, depending on the light level. When the battery capacity is under 10 % "bAt" appears on the LCD at start-up.

If the battery is empty and accurate measurements can't be taken any more, the instrument shows "bAd" then "bAt" each for 1 second and turns off. To restart the instrument, the battery must be replaced with a fresh one.

To replace the instrument's battery, follow the steps:

- Turn the instrument off by holding the button until the meter shuts off.
- Turn the instrument upside down and remove the battery cover with a screwdriver.
- Remove the battery from its location and replace it with a fresh one.
- Insert the battery cover and replace the screw with a screwdriver.

